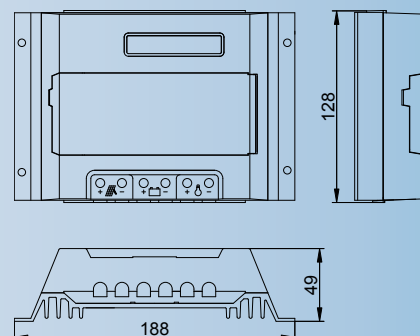




### Solar Charge Controller



**Power class** 30 A - 45 A



# Steca Tarom

235, 245, 430, 440

The Steca Tarom is the high end solar charge controller optimally designed for demanding telecom applications and complex off-grid PV hybrid system architectures. A huge variety of exiting features allows the user to adapt this controller to the special needs of the specific installation.

The optimised SOC calculation of Steca is implemented in the Tarom. It is your best choice for the medium and large power range (up to 2400 Wp) on three voltage levels (12 V, 24 V, 48 V). Additionally it is possible to connect further devices like a temperature sensor, a datalogger and a remote switch to configure and monitor the photovoltaic system optimally. An in built Ah counter gives additional valuable energy balance information to the user.

#### Certificates

- listed for Worldbank funded projects in Nepal
- conform to European Standards (CE)
- Made in Germany
- manufactured in a DIN EN ISO 9001:2000 and DIN EN ISO 14001 facility



Solar Charge Controller	Tarom 235	Tarom 245	Tarom 430	Tarom 440
system voltage	12 V / 24 V		48 V	48 V
max. module input short circuit current	35 A	45 A	30 A	40 A
max. load output current	35 A	45 A	30 A	40 A
max. self consumption	14 mA			
end of charge voltage (float)	13.7 V (27.4 V)		54.8 V	
boost charge voltage	14.4 V (28.8 V)		57.6 V	
equalisation charge (deactivated for gel)	14.7 V (29.4 V)		58.8 V	
reconnection setpoint (SOC / LVR)	programmable > 50 % SOC / 12.6 V (25.2 V / 50.4 V)			
deep discharge protection (SOC / LVD)	programmable < 30 % SOC / 11.1 V (22.2 V / 44.4 V)			
ambient temperature allowed	-10 °C...+60 °C			
terminal size (fine / single wire)	16 mm <sup>2</sup> / 25 mm <sup>2</sup>			
enclosure protection class	IP 22			
weight	550 g			
dimensions l x w x h	188 x 128 x 49 mm			

Technical data at 25 °C / 77 °F

#### Features

- PWM shunt battery charging
- state of charge (SOC) battery regulation
- energy management for hybrid systems
- built in Ah counter
- boost charging
- equalising charge
- float charging
- automatic load reconnection
- automatic selection of voltage for 12 V / 24 V
- temperature compensation
- positive grounding (or)
- negative grounding on one terminal
- field adjustable parameters by four buttons
- lighting control options during nighttime
- RJ45 interface
- manual load disconnect

#### Electronic Protections

- high voltage disconnect (HVD)
- low voltage disconnect (LVD)
- dept of discharge disconnection (DOD)
- reverse polarity of solar modules
- reverse polarity of load & battery
- short circuit of solar modules
- short circuit of load
- over temperature
- over voltage
- lightning protection by varistor
- low electronic interference (EMC)
- open circuit battery
- reverse current at night

#### Displays

- two line LCD showing SOC, Vbat, all currents, Ah, alarms, charging procedure